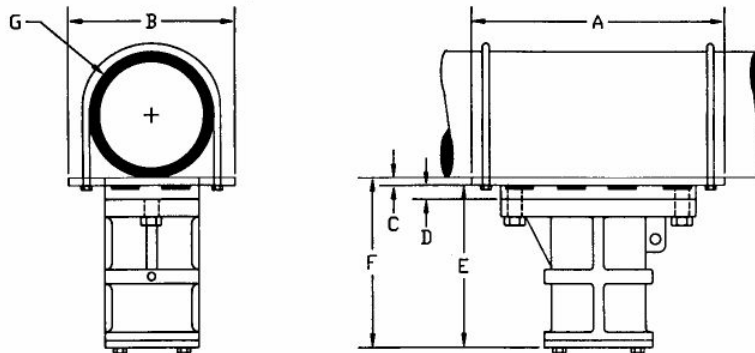
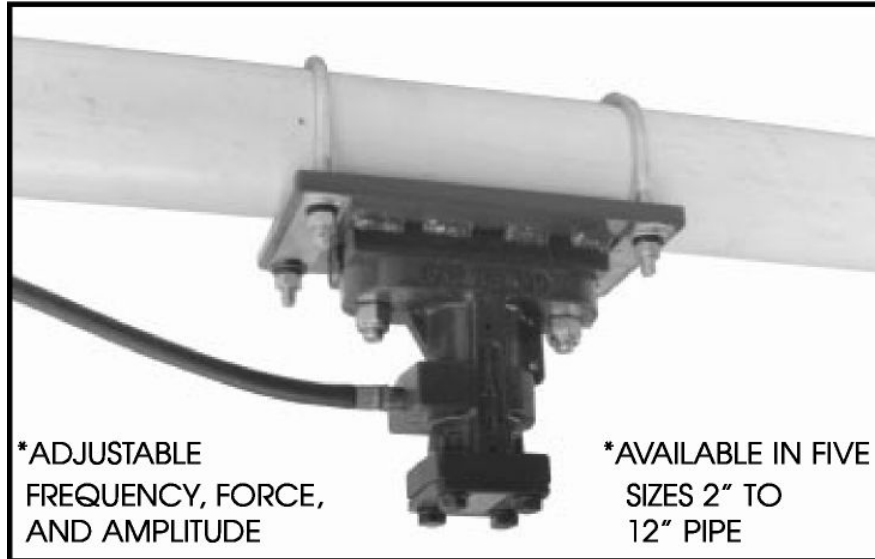


Powerful linear force for improved flow in pipes!



MODEL	FITS PIPE	A"	B"	C"	D"	E"	F"	G(U-BOLTS)
PVA-112	2" - 4"	7.5	7.0	0.25	1.00	4.75	5.00	(2) 4.625 ID
PVA-150	4" - 6"	9.0	9.0	0.25	0.75	5.50	6.50	(2) 6.620 ID
PVA-175	6" - 8"	13.0	11.0	0.25	0.75	7.25	8.25	(2) 8.750 ID
PVA-225	8" - 10"	13.0	13.0	0.25	0.75	7.25	8.25	(2) 10.88 ID
PVA-312	10" - 12"	15.0	16.0	0.25	1.25	9.62	11.12	(2) 12.88 ID